

TEAC®

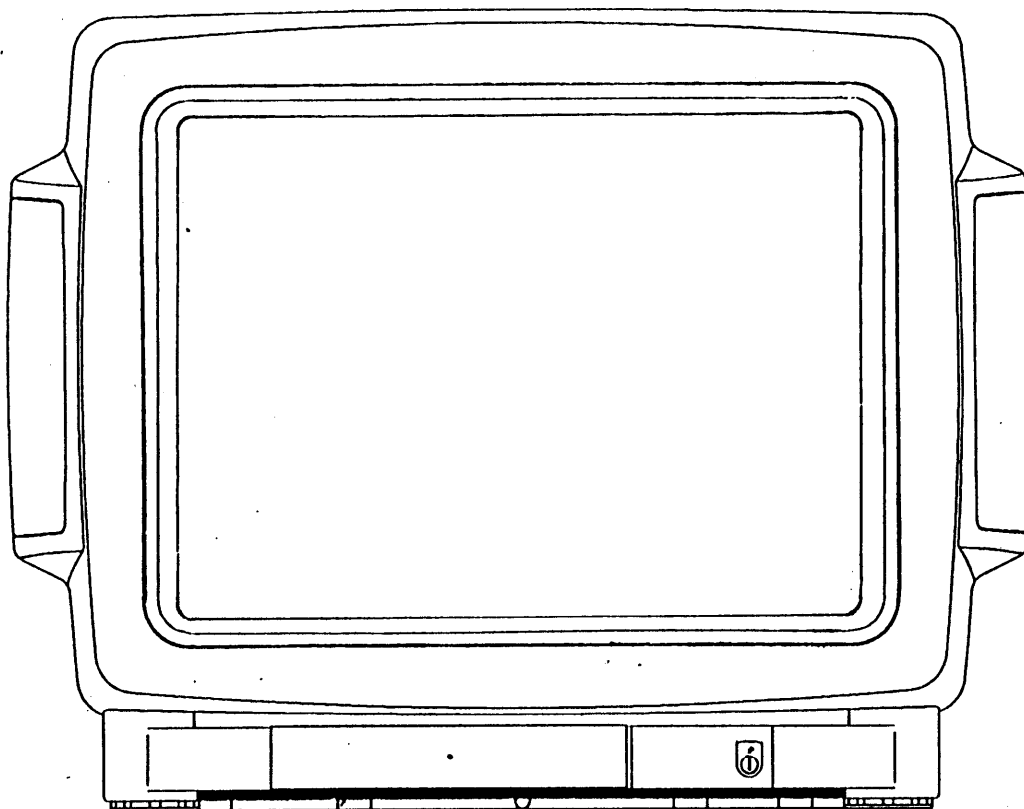
SERVICE MANUAL

CTM516SW

51cm CTV

SERVICE MANUAL

SOLID STATE
21" COLOR TELEVISION
RECEIVER



MODEL : GT-9221

PAL-BG +FASTEXT GERMAN STEREO

SPECIFICATION

SYSTEM	:	PAL- B/G	
----- TV SECTION -----			
CHANNEL COVERAGE VHF LOW	:	2-4	CH.
VHF HIGH	:	5-12	CH.
UHF	:	21-69	CH.
FREQUENCY RANGE VHF LOW	:	47-68	MHz
VHF HIGH	:	174-230	MHz
UHF	:	470-862	MHz
VISION/SOUND SEPARATION	:	5.5	MHz
FREQUENCY VIDEO IF	:	38.9	MHz
SOUND IF	:	33.4	MHz
VIDEO SENSITIVITY	:	45	dBuV
SENSITIVITY VHF LOW	:	47	dBuV
(AT 30dB S/N) VHF HIGH	:	47	dBuV
UHF	:	50	dBuV
SCANNING LINES	:	625	lines
HORIZONTAL	:	15625	Hz
VERTICAL	:	50	Hz
OUTPUT POWER MAXIMUM	:	2000	mW
10% THD	:	1500	mW
SCREEN SIZE	:	21" DIAGONAL, 90 DEGREES DEFLECTION ANGLE	
WEAKER	:	4" 16OHM 3W x 2	
ANTENNA EXTERNAL	:	75	OHM
POWER CONSUMPTION	:		

VIF ALIGNMENT

A. Preparation Step (See Fig. 1)

- (i) Connect AGC bias voltage to pin 10 at IC102, the DC supply should be turned off this time.
- (ii) Connect 14V B+ bias voltage to D404 (-) and Ground.
- (iii) Connect 14V B+ bias voltage to c917 (+) and Ground.
- (iv) Connect sweep generator to tuner test point and Ground.

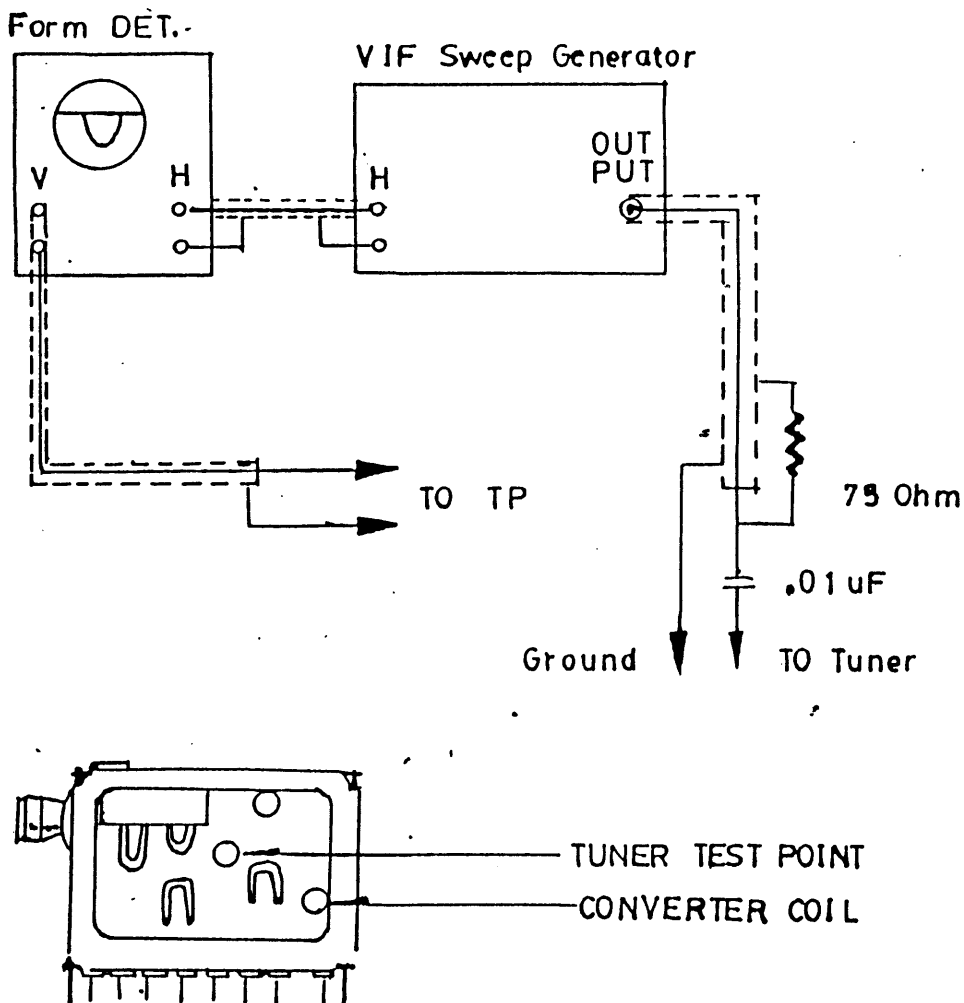


Fig.1

B. Tank Coil Alignment Step (See Fig. 2)

- (i) Calibrate the Division of waveform Detector equal to 1V per div.
- (ii) The output of sweep generator should be -50dB.
- (iii) Connect the waveform detector between TP106 and ground.
- (iv) Connect a 47K Resistor between pin 7 to pin 22 at IC102.
- (v) Connect a 4K7 Resistor between pin 23 to Ground at IC102.
- (vi) Adjust AGC bias until the waveform just saturate.
- (vii) Adjust T101 to obtain the waveform as Fig.2.

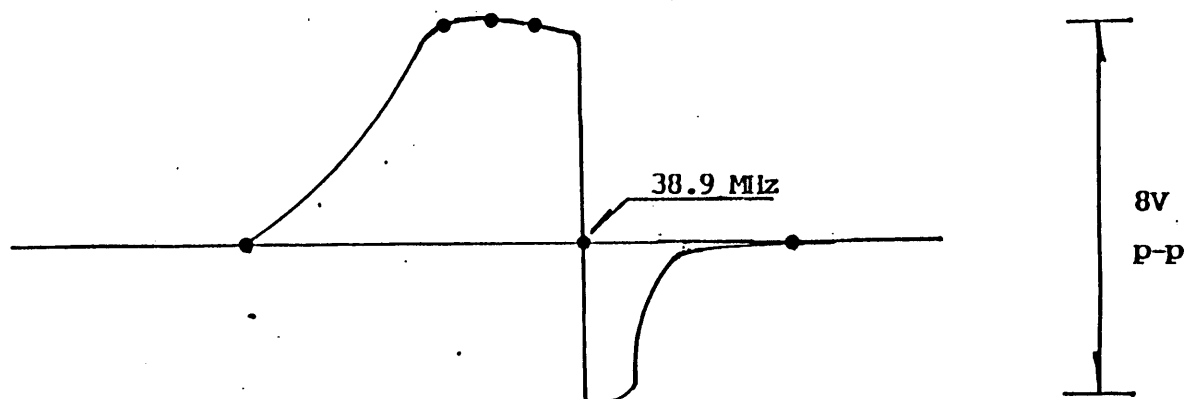


Fig. 2

(C) VIF ALIGNMENT

- (1) Connect waveform detector to TP102 and Ground.
- (ii) Connect 100 ohm resistor between TP103 and TP104.
- (iii) Reduce output level of sweep generator to -50dB.
- (iv) Adjust AGC bias to maintain the waveform achieve 1V p-p.
- (V) Adjust tuner convertor coil to obtain the waveform as Fig.3.

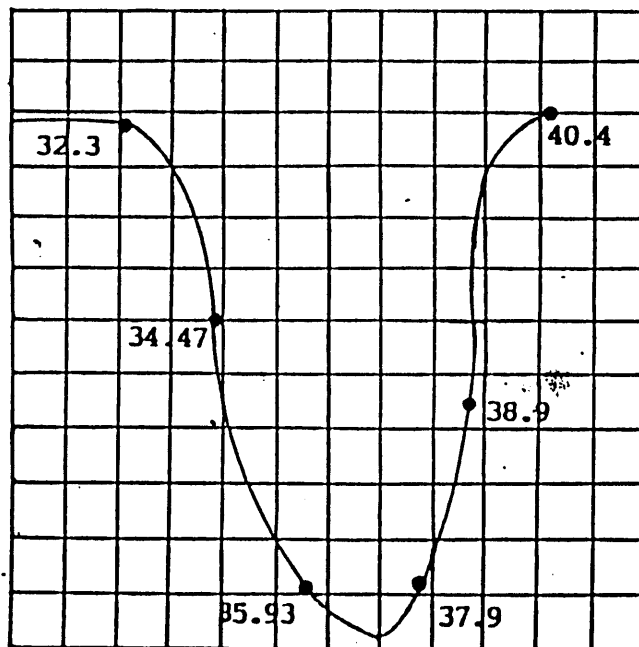


Fig. 3 .

D. AFC ALIGNMENT

- (i) Connect Philips Pattern Generator to tuner test point and Ground (Frequency is 38.9 MHz color bar)
- (ii) Connect Digital multimeter to PIN 18 at IC102.
- (iii) Adjust T101 to obtain a DC 6V.

E. SOUND TANK COIL ALIGNMENT

- (i) Connect Philips Pattern Generator to tuner test point and Ground (Frequency is 38.9 MHz color bar)
- (ii) Connect Digital multimeter to PIN 12 at IC101.
- (iii) Adjust T103 to obtain a DC 2.8V.

F. SIF ALIGNMENT

- (i) Connect the sweep generator to TP105.
- (ii) Connect waveform detect to PIN 1 and PIN 3 at CN306.
- (iii) Connect AGC Bias voltage to TP101.
- (iv) The output of sweep generator should be -40dB.
- (v) Adjust T104 and T102 to obtain the waveform as Fig.5.

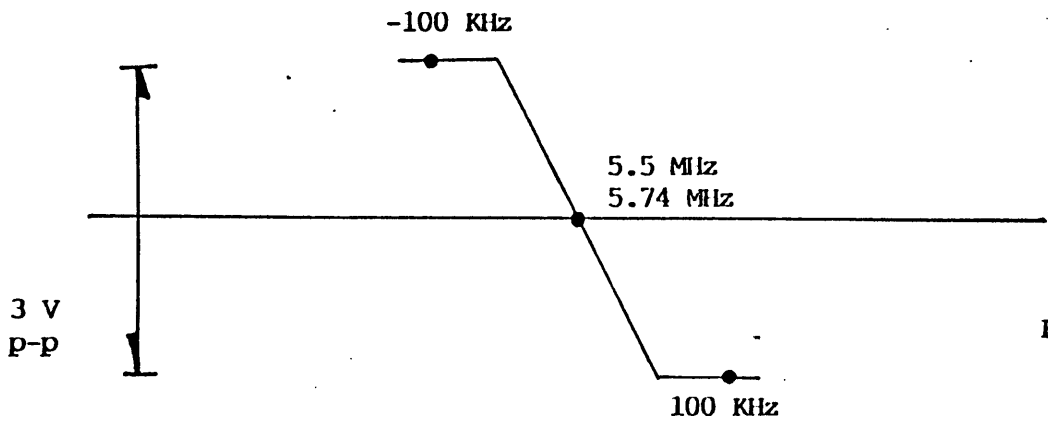


Fig. 5

G. STEREO and Dual Sound Alignment

- (1) Receive color bar pattern (with stereo and Dual Sound).
- (2) Connect oscilloscope to TP001 and TP002.
- (3) Adjust T001, VR001 and VR003 to obtain a maximum amplitude as Fig.6 & Fig. 7.

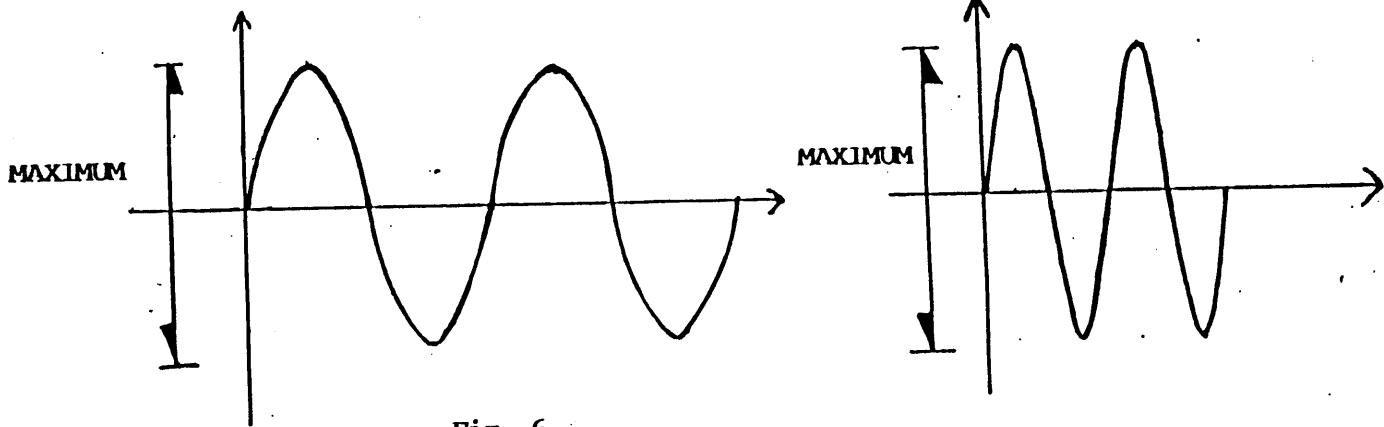


Fig. 6

II. Separation Alignment

- (1) Receive color bar pattern (with stereo sound, L 3 KHz R 1 KHz).
- (2) Connect Digital multimeter to PIN 1 at CN201 and ground.
- (3) Adjust volume control to obtain a $0.89 \cdot V_{rms}$.
- (4) Switch off the left channel signal (3 KHz) from the signal generator.
- (5) Adjust VR002 to make a minimum output level.

PAL COLOUR ALIGNMENT

- (1) Receive Philips Pattern.
- (2) Connect Oscilloscope to TP305.
- (3) Set color control to maximum position.
- (4) Adjust T301, CT301 and VR302 to obtain the waveform as Fig.6.

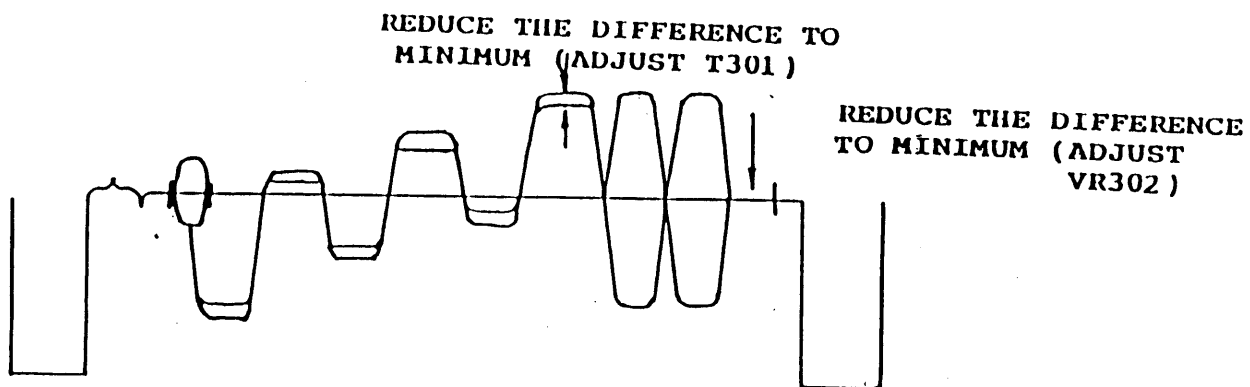


Fig.6

B+ ADJUSTMENT

- 1) Connect a digital volt meter to TPB+ and ground.
- 2) Set Brightness, contrast and colour to minimum.
- 3) Adjust VR901 and obtain a reading of 112v.

HORIZONTAL CIRCUIT ADJUSTMENT

- 1) Receive Monoscope Pattern input signal 80dBuV.
- 2) Connect terminal 25 pin of IC102 and the ground with the Elect.Cap. 10/16
- 3) Adjust VR103 to obtain the picture running at center.
- 4) Adjust VR102 to obtain the picture at center.

VERTICAL CIRCUIT ADJUSTMENT

- 1) Receive the Monoscope Pattern.
- 2) Adjust V-size (VR401) to obtain a normal picture.

WHITE BALANCE ALIGNMENT STEP

(deguss the picture by deguassing coil if necessary)

- 1) Turn the brightness, contrast and picture control to minimum value.
- 2) Turn VR501,502,504 to middle position. Turn VR503,505 to middle position.
- 3) Turn VR301 to middle position.
- 4) Receive a black and white pattern.
- 5) Connect a digital meter between G2 and Ground on CRT Board.
- 6) Adjust screen volume on FB1 to obtain a 310V.
- 7) Adjust VR502,503,504,505 to obtain a uniformly white picture (9300°K)

SUB-BRIGHTNESS ALIGNMENT

- 1) Receive a colour bar pattern.
- 2) Turn the brightness, contrast and colour to minimum.
- 3) Adjust VR301 until the brightest bar can just be seen.

FOCUS ALIGNMENT

- 1) Set the brightness and contrast to middle position.
- 2) Receive a monoscope pattern.
- 3) Adjust focus control to obtain sharpest picture.

AGC ALIGNMENT

- 1) Receive CH69 (UHF) and input field strength in 63dB \pm 3dB input.
- 2) Adjust VR101 to the point where noise is disappeared.

VOLTAGE TABLE FOR IC

SYMBOL		IC801	IC804	SYMBOL	
PIN NO.		(V)	(V)	PIN NO.	
1		5	GEN	43	4.2
2		1.8	4.2	44	0.8
3		1.9	4.3	45	0.8
4		0.03	NC	46	0.8
5		GEN	NC	47	2.5
6		4.9	NC	48	5.0
7		2.2	NC		
8		2.4	NC		
9		2.5	NC		
10		5.0	NC		
11		GEN	NC		
12		2.1	5.0		
13		5	GEN		
14		GEN	GEN		
15		0.42	2.3		
16		0.5	2.0		
17		0.4	0		
18		3.8	GEN		
19		4.5	NC		
20		0.8	NC		
21		2.5	NC		
22		NC	NC		
23		4.3	GEN		
24		4.3	NC		
25		GEN	NC		
26		0.5	GEN		
27		0.5	NC		
28		0.5	5.0		
29		0.3			
30		0.5			
31		4.2			
32		0.3			
33		0			
34		3.7			
35		3.6			
36		3.6			
37		1.2			
38		1.3			
39		3.8			
40		2.2			
41		2.2			
42		4.2			

NOTE : VOLTAGE ARE TAKEN UNDER TUNED CONDITION WITH

- CONTRAST : Maximum Position
- BRIGHTNESS : Maximum Position
- COLOR : Maximum Position
- SIGNAL INPUT : 80 divV
- CHANNEL SETTING : The Last Channel of UIIF High
- SIGNAL PATTERN : Colour Bar

VOLTAGE TABLE FOR IC

SYMBOL PIN NO.	IC701 (V)	IC602 (V)	IC101 (V)	IC103 (V)	IC802 (V)
1	3.0	GND	1.8	15.5	NC
2	3	5	2.1	GND	4.2
3	0	GND	2.6	11.9	2.2
4	NC	GND	1.8		2.2
5	NC	2.9	1.8		3.8
6	NC	3.3	2.1		1.3
7	0	5	2.1		1.2
8	NC	5	1.8		3.6
9	0		1.8		3.6
10	0		4.0		3.7
11	0		4.0		0
12	0		3.0		0.3
13	0		0.04		4.2
14	GND		1.65		GND
15	0		1.76		0.6
16	0		3.0		0.5
17	0		0.03		0.5
18	0		GND		0.3
19	0		5		0.5
20	0		1.78		GND
21	3.0				4.2
22	3.0				2.5
23	3.0				0.8
24	NC				0.8
25	3.0				0.8
26	3.0				5.0
27	3.0				5.0
28	3				5.0

NOTE : VOLTAGE ARE TAKEN UNDER TUNED CONDITION WITH

- CONTRAST : Maximum Position
- BRIGHTNESS : Maximum Position
- COLOR : Maximum Position
- SIGNAL INPUT : 80 dBuV
- CHANNEL SETTING : The Last Channel of UIF High
- SIGNAL PATTERN : Colour Bar

VOLTAGE TABLE FOR IC

SYMBOL PIN NO.	IC601 (V)	IC102 (V)	IC302 (V)	IC304 (V)	IC301 (V)
1	4.33	5.4	3.6	3.4	0.09
2	0.82	2.9	GND	11.2	0
3	4.85	2.8	3.6	8.4	0
4	4.85	3.5	3.6	8.3	0
5	4.85	3.2	3.6	8.2	0
6	NC	GND	3.6	0.86	0
7	0.04	11.6	3.6	0.1	0
8	0.02	5.6	0.01	4.1	0
9	2.5	5.6	0.14	4.1	0
10	4.1	2.4	0.02	4.1	GND
11	GND	1.85	3	2.7	0.1
12	4.5	NC	0.02	3.1	0
13	5	3	3	NC	0.1
14	5	1.5	11.2	3.9	0
15	5	NC	0.02	3.9	0.1
16	5	GND	3.0	2.6	0
17	5	3.5		1.9	0.09
18	0.1	5.0		GND	0
19	5	6.6		3.4	0.09
20	5	5.6		3.4	5
21	GND	5,6			
22	0	9.5			
23	0	2.8			
24	0	2.8			
25	0	4.6			
26	0.4	0.8			
27	-0.02	0.8			
28	5	3.3			
29	4.6				
30	GND				
31	2.4				
32	2.4				
33	5				
34	0.6				
35	4.9				
36	4.9				
37	0.02				
38	GND				
39	3.3				
40	2.8				
41	0.25				
42	5				

NOTE : VOLTAGE ARE TAKEN UNDER TUNED CONDITION WITH

- CONTRAST : Maximum Position
- BRIGHTNESS : Maximum Position
- COLOR : Maximum Position
- SIGNAL INPUT : 80 dBuV
- CHANNEL SETTING : The Last Channel of UHF High
- SIGNAL PATTERN : Colour Bar

VOLTAGE TABLE FOR IC

SYMBOL PIN NO.	IC305 (V)	IC303 (V)	IC901 (V)	IC401 (V)	IC201 (V)
1	7.4	5.1	10.6	1.2	1.2
2	7.4	0	GND	GND	0.01
3	GND	3.8	5	1.3	GND
4	2.2	0		GND	15.3
5	2.3	3.9		12.6	0.01
6	8.0	3.5		25	1.2
7	11.4	GND		NC	14.2
8	5.6	GND		5.7	7.9
9	3.2	3.3		24.6	15.2
10	7.8	3.8			8.0
11	2.9	0.8			14.2
12	7.6	5.1			GND
13	2.1	5.1			
14	7.1	NC			
15	0.9	4.4			
16	NC	9.8			
17		3.4			
18		9.5			
19		NC			
20		3.1			
21		NC			
22		4.4			
23		GND			
24		5.1			

NOTE : VOLTAGE ARE TAKEN UNDER TUNED CONDITION WITH

CONTRAST : Maximum Position
 BRIGHTNESS : Maximum Position
 COLOR : Maximum Position
 SIGNAL INPUT : 80 dBuV
 CHANNEL SETTING : The Last Channel of UHF High
 SIGNAL PATTERN : Colour Bar

VOLTAGE TABLE FOR IC

SYMBOL PIN NO.	IC005 (V)	IC006 (V)	IC007,008 (V)	IC009 (V)	IC010 (V)
1	2.1	2.0	5.2	2.6	5.2
2	0.78	GND	1.4	2.6	NC
3	0.61	2.3	1.4	2.6	NC
4	0.61	5.3	GND	GND	5.2
5	0.61	3.9	5.2	5.2	GND
6	GND	4.0	5.2	1.4	5.2
7	GND	4.0	5.2	1.4	GND
8	GND	3.9	11.4	1.4	2.6
9	3.1	1.2			2.6
10	7.1	2.1			2.6
11	0.61	4.2			GND
12	2.1	5.3			GND
13	0.78	4.2			5.2
14	0.78	GND			GND
15	0.78	2.3			4.8
16	11.3	2.6			2.3
17		NC			2.2
18		NC			5.2
19		GND			2.6
20		3.3			NC
21					2.3
22					NC
23					5.2
24					NC
25					GND
26					NC
27					0.03
28					5.2

NOTE : VOLTAGE ARE TAKEN UNDER TUNED CONDITION WITH

- CONTRAST : Maximum Position
- BRIGHTNESS : Maximum Position
- COLOR : Maximum Position
- SIGNAL INPUT : 80 dBuV
- CHANNEL SETTING : The Last Channel of UHF High
- SIGNAL PATTERN : Colour Bar

VOLTAGE TABLE FOR TRANSISTOR							
SYMBOL	B (V)	C (V)	E (V)	SYMBOL	B (V)	C (V)	E (V)
Q001	2.1	7.6	1.4	Q302	0	1.9	0
Q002	3.5	11.4	2.8	Q303	3.05	0	3.75
Q003	1.8	3.4	1.1	Q401	0.4	60.0	-0.01
Q004	2.5	5.3	1.8	Q402	-0.1	110.0	0
Q005	3.7	11.4	3.0	Q601	0.6	2.01	0
Q006	5.2	5.2	4.5	Q602	0.7	0.06	0
Q007	0.08	5.2	0.3	Q603	9.2	12.2	8.7
Q008	0.65	0.01	0	Q604	0	0.24	0
Q009	0.55	0.01	0	Q605	0.3	1.1	0
Q010	0.01	5.6	0.01	Q901	9	15.3	8.4
Q101	10.2	10.9	11.1	Q902	6.4	-0.02	2.1
Q102	11.1	0	11.1	Q903	-0.02	1.55	0
Q103	0.65	0.04	0	Q904	-2.48	264	0.1
Q104	0.04	11.1	0	Q905	0.6	0.04	0
Q105	1.10	7.3	0.4	Q906	109.5	110	110.1
Q106	0	2.4	0	Q907	110	110.1	109.4
Q107	0.04	11.1	0	Q501	3.13	134.2	2.6
Q108	11.1	0	11.1	Q502	3.6	128.4	2.6
Q109	3.5	11.1	2.8	Q503	3.1	127.4	2.6
Q201	16.3	15.7	15.6	Q701	0	3	0
Q301	0.04	2.53	0	Q702	3	-0.8	3

NOTE : VOLTAGE ARE TAKEN UNDER TUNED CONDITION WITH

CONTRAST : Maximum Position

BRIGHTNESS : Maximum Position

COLOR : Maximum Position

SIGNAL INPUT : 80 dBuV

CHANNEL SETTING : The last Channel of UHF High

SIGNAL PATTERN : Colour Bar

MODEL NO.: CT-M516SW Chassis type GT-

Part Number	Description	Qty
11310300517	CARBON FILM RESISTOR 10K OHM 1/16W +-5%	1
11310900517	CARBON FILM RESISTOR 1 OHM 1/16W +-5%	1
11347300517	CARBON FILM RESISTOR 47K OHM 1/16W +-5%	1
11368200517	CARBON FILM RESISTOR 6.8K OHM 1/16W +-5%	1
12747604203	ELECT. CAP. 47 MFD 16V +-20%	1
13060010100	INFRARED EMITTER EL-1L1 KODENSHI	1
13121071929	TRANSISTOR 2SA719R/S MATSUSHITA	1
13123094500	TRANSISTOR 2SC945 NEC	1
13380301033	I.C. SAA3010T PHILIPS	1
17272600099	BARE WIRE 54MM	0.1
190R6330002	REMOTE P.C.B. (140896)	1
51626040810	SELF-TAPPING SCREW 2.6 X 8 P/T (HARDEN)	2
774R6330100	BATTERY SPRING (+VE)	1
774R6330200	BATTERY SPRING (-VE)	1
774R6330300	BATTERY SPRING (+-VE)	1
81004110413	POLYBAG 4" X 11" X 0.04MM W/RE-CYCLING MARK	1
849R6330100	KEY PAD {FULL 40 KEYS}	1
892R6330102	DIAL KEY PLATE - ENG STD W/RED /YELLOW/GREEN/BLUE/SILVER SS.	1
900R6330103	HANDSET TOP CABINET -MATT BLK. SPRAYED W/SILVER 8001C S.S.	1
902R6330103	HANDSET BOTTOM CABINET - MATT BLACK SPRAYED	1
910R6330113	HANDSET BATTERY DOOR - TEAC DESIGN (RC-652)(CT-M516SW)BLK	1
973R6330100	VOLUME/CHANNEL KNOB - MOULDED BLACK	1
00212100946	21" CRT (S/H) #A51KQK63X02 SAMSUNG	1
00313142402	TUNER OSCAR UVE33-W24/R16-3649 MITSUMI (HIGH JACK)	1
10710550066	SOUND TRAP CERAMIC FILTER 5.5MHZ WEI HAW	1
10730550016	SOUND BYPASS CERAMIC FILTER 5.5MHZ WEI HAW	1
10730574016	SOUND BYPASS CERAMIC FILTER 5.74MHZ SFE-5.74MC MURATA	1
10773340066	SAW FILTER 33.4 MHZ (MURATA)	1
10773891600	SAW FILTER TSF-5316 SANYO	1
11310110517	CARBON FILM RESISTOR 100 OHM 1/4W +-5%	2
11315310517	CARBON FILM RESISTOR 15K OHM 1/4W +-5%	2
11322310167	METAL FILM RESISTOR 22K OHM 1/4W +-1%	1
16112140200	MINI JACK #HSJ0914-01-040 (HOSIDEN)	1
17155008400	7' AC LINE CORD W/7.5A PLUG (DOUB.INSULATION)2 PIN SAA APP	1
17262000540	UL 1007 TOP COAT WIRE AWG 20 50MM BLACK 5 X 5MM	1
17765510305	5 PINS FLAT CABLE L=100MM	1
17765510305	5 PINS FLAT CABLE L=100MM	0
18622750314	BATTERY 3A	2
19130130007	3 PIN SOCKET ASS'Y L=40MM (HALF CIRCLE)	1
61094210424	GIFT BOX - TEAC DESIGN (CT-M516SW)	1
66323058096	SERIAL NO.LABEL - OC:GT-580/96	2
66994210152	RATING LABEL - TEAC DESIGN (CT-M516SW)	1
6709421001P	I/MANUAL - TEAC DESIGN W/ DECODER (CT-M516SW)	1
67892210302	TELETEXT COMPLEMENT - TEAC DESIGN	1
67892210903	EASY TUNE CARD (A) - TEAC (A) DESIGN	1
67893131502	TOTAL CARE LABEL - TEAC DESIGN (BLK & WHITE)	1
67894210157	SCREEN STICKER - TEAC DESIGN (CT-M516SW)	1
67894210159	POLYBAG WARNING LABEL - TEAC DESIGN	1
69092213901	WARRANTY CARD- TEAC (A) DESIGN	1
69394210107	EAN CODE LABEL - 9313060007607	1
70394211000	SPEAKER GRILLE (B) -MATT BLACK SPRAY (BOTH SIDE)	2

70394213101	WOOFER SPEAKER GRILLE W/MATT	BLK SPRAY(BOTH SIDE)(0.8 THK)	1
80094211100	POLYFOAM (B) - TOP LEFT		1
80094211200	POLYFOAM (B) - TOP RIGHT		1
80094211300	POLYFOAM (B) - BOTTOM LEFT		1
80094211400	POLYFOAM (B) - BOTTOM RIGHT		1
81040400414	POLYBAG 40"X40"X0.04MM W/PUNCH	HOLE & RE-CYLING MARK P/O MAT	1
82630160500	FOAM SHEET 30" X 16" X 0.5MM	THK.	1
82634200500	FOAM SHEET - 34" X 20" X 0.5MM		1
88488202002	JACK COVER-TEAC DESIGN WHI SS.	W/21 PIN SOCKET HOLE	1
88494202201	P/PLATE(B)- BLACK W/L.GREY SS.	W/STEREO/EARPHONE JACK {13KEY}	1
90094211005	FRONT CABINET - SONY GREY		1
902942102U0	BACK CABINET W/WOOFER (UL)		1
905942102U2	WOOFER TOP CABINET - W/426U	(SONY GREY) (UL)	1
906942102U0	WOOFER COVER (UL)		1
908942101U2	WOOFER AIR TUBE - W/426U SONY	GREY (UL)	1
91794211003	REMOTE LENS (B) - T.RED W/GOLD	S.S. & DUAL STEREO I/II	1
91994211069	PRESET DOOR - TEAC DESIGN W/	CABLE READY WORDING(CT-M516SW)	1
92993130100	LED HOLDER BLACK ABS		1
9868828010J	NAME PLATE - TEAC DESIGN (A)	(SMALL SIZE)	1
00122002707	FLYBACK TRANSFORMER FCM20B027	SAMSUNG	1
00855021105	DEGAUSSING COIL 60T	(W/FIVE LAYERS OF TAPE)	1
01210234006	SEMI-FIXED RESISTOR EVND8AA	03B13 1KB	2
01210334006	SEMI-FIXED RESISTOR EVND8AA	03B14 10KB	2
01210434006	SEMI-FIXED RESISTOR EVND8AA	03B15 100KB	1
01230133006	SEMI-FIXED RESISTOR EVND2AA	03B32 300B	2
01250134006	SEMI-FIXED RESISTOR EVND 8AA	03B52 500B	3
01250233006	SEMI-FIXED RESISTOR EVND2AA	03B53 5KB	3
01250334006	SEMI-FIXED RESISTOR EVND8AA	03B54 50KB	2
01310000103	GLASS DELAY LINE YTS-8B WITTIS		1
01320000500	Y-DELAY LINE YBL50F18X		1
10119100596	HORIZONTAL DRIVE TRANSFORMER	R1005	1
10128882095	LINE FILTER 70MH		1
10141021494	SWITCHING POWER TRANSFORMER	KB40C214D (HIGHLIGHT)	1
10237060002	TANK COIL / AFC COIL COILS	707851	2
10267130002	SOUND IF COIL. COILS 710256		2
10277020002	SECAM COLOR PAL DELAY LINE	MATCHING COILS 707850	1
10287140002	OSC COIL OD-814656 "COILS"		1
10510010302	FIXED INDUCTIVE COIL 10uH	+10% AXIAL TYPE	1
10510010308	FIXED INDUCTOR COIL 10 UH	+10% AXIAL	1
10515010102	FIXED INDUCTIVE COIL 15UH 10%		1
10515310602	CHOKER COIL 15MH 10%	CW-710228-153K	1
10520110606	CHOKER COIL 200UH HIGHLIGHT		1
10533010308	FIXED INDUCTIVE COIL 33UH	+10% AXIAL	1
10556010102	FIXED INDUCTOR COIL 56uH +-10%	CW-560K-455-705111	1
10565015213	LINEARITY COIL 65UH "LI TONE"		1
10568910308	FIXED INDUCTOR COIL 6.8 UH	+10% AXIAL	1
10582810302	FIXED INDUCTIVE COIL 0.82UH	10% AXIAL TYPE	1
10582910308	FIXED CONDUCTOR COIL 8.2 UH	+10% AXIAL	4
11310010517	CARBON FILM RESISTOR 10 OHM	1/4W +-5%	5
11310110517	CARBON FILM RESISTOR 100 OHM	1/4W +-5%	6
11310110517	CARBON FILM RESISTOR 100 OHM	1/4W +-5%	10
11310130575	METAL OXIDE FILM RESISTOR 100	OHM 1W +-5%	1
11310210517	CARBON FILM RESISTOR 1K OHM	1/4W +-5%	9
11310210517	CARBON FILM RESISTOR 1K OHM	1/4W +-5%	12
11310210517	CARBON FILM RESISTOR 1K OHM	1/4W +-5%	10
11310230575	METAL OXIDE FILM RESISTOR 1K	OHM 1W +-5%	1

11310310167	METAL FILM RESISTOR 10K OHM	1/4W +-1%	1
11310310517	CARBON FILM RESISTOR 10K OHM	1/4W +-5%	10
11310310517	CARBON FILM RESISTOR 10K OHM	1/4W +-5%	10
11310310517	CARBON FILM RESISTOR 10K OHM	1/4W +-5%	5
11310340575	METAL OXIDE FILM RESISTOR 10K	OHM 2W +-5%	1
11310410517	CARBON FILM RESISTOR 100K OHM	1/4W +-5%	2
11310420512	CARBON FILM RESISTOR 100K OHM	1/2W +-5%	1
11310430575	METAL OXIDE FILM RESISTOR 100K	OHM 1W +-5%	1
11310510517	CARBON FILM RESISTOR 1M OHM	1/4W +-5%	1
11310910517	CARBON FILM RESISTOR 1 OHM	1/4W +-5%	1
11312030575	METAL OXIDE FILM RESISTOR 12	OHM 1W +-5%	1
11312040575	METAL OXIDE FILM RESISTOR 12	OHM 2W +-5%	1
11312210517	CARBON FILM RESISTOR 1.2K OHM	1/4W +-5%	4
11312310517	CARBON FILM RESISTOR 12K OHM	1/4W +-5%	3
11312420512	CARBON FILM RESISTOR 120K OHM	1/2W +-5%	1
11312940542	FUSING RESISTOR 1.2 OHM 2W	+5%	1
11315210517	CARBON FILM RESISTOR 1.5K OHM	1/4W +-5%	2
11315310517	CARBON FILM RESISTOR 15K OHM	1/4W +-5%	5
11315340575	METAL OXIDE FILM RESISTOR 15K	OHM 2W +-5%	3
11315410517	CARBON FILM RESISTOR 150K OHM	1/4W +-5%	1
11315840575	METAL OXIDE FILM RESISTOR 0.15	OHM 2W +-5%	1
11315930575	METAL OXIDE FILM RESISTOR 1.5	OHM 1W +-5%	1
11318110517	CARBON FILM RESISTOR 180 OHM	1/4W +-5%	6
11318210517	CARBON FILM RESISTOR 1.8K OHM	1/4W +-5%	8
11318210517	CARBON FILM RESISTOR 1.8K OHM	1/4W +-5%	3
11318410517	CARBON FILM RESISTOR 180K OHM	1/4W +-5%	2
11320260575	METAL OXIDE FILM RESISTOR 2K	OHM 5W +-5%	1
11322110517	CARBON FILM RESISTOR 220 OHM	1/4W +-5%	3
11322130575	METAL OXIDE FILM RESISTOR 220	OHM 1W +-5%	1
11322210167	METAL FILM RESISTOR 2.2K OHM	1/4W +-1%	1
11322210517	CARBON FILM RESISTOR 2.2K OHM	1/4W +-5%	11
11322310517	CARBON FILM RESISTOR 22K OHM	1/4W +-5%	12
11322310517	CARBON FILM RESISTOR 22K OHM	1/4W +-5%	2
11322410517	CARBON FILM RESISTOR 220K OHM	1/4W +-5%	4
11322910517	CARBON FILM RESISTOR 2.2 OHM	1/4W +-5%	3
11322920512	CARBON FILM RESISTOR 2.2 OHM	1/2W +-5%	2
11322940575	METAL OXIDE FILM RESISTOR 2.2	OHM 2W +-5%	1
11322950575	METAL OXIDE FILM RESISTOR 2.2	OHM 3W +-5%	1
11322960551	WIRE WOUND CEMENT RESISTOR	2.2 OHM 5W +-5%	1
11327010517	CARBON FILM RESISTOR 27 OHM	1/4W +-5%	1
11327040575	METAL OXIDE FILM RESISTOR 27	OHM 2W +-5%	1
11327110517	CARBON FILM RESISTOR 270 OHM	1/4W +-5%	2
11327210517	CARBON FILM RESISTOR 2.7K OHM	1/4W +-5%	1
11327220512	CARBON FILM RESISTOR 2.7K OHM	1/2W +-5%	6
11327310517	CARBON FILM RESISTOR 27K OHM	1/4W +-5%	4
11333010517	CARBON FILM RESISTOR 33 OHM	1/4W +-5%	1
11333110517	CARBON FILM RESISTOR 330 OHM	1/4W +-5%	4
11333210217	CARBON FILM RESISTOR 3.3K OHM	1/4W +-2%	1
11333210517	CARBON FILM RESISTOR 3.3K OHM	1/4W +-5%	4
11333310517	CARBON FILM RESISTOR 33K OHM	1/4W +-5%	5
11333410517	CARBON FILM RESISTOR 330K OHM	1/4W +-5%	1
11333430575	METAL OXIDE FILM RESISTOR 330K	OHM 1W +-5%	1
11333940575	METAL OXIDE FILM RESISTOR 3.3	OHM 2W +-5%	1
11339050575	METAL OXIDE FILM RESISTOR 39	OHM 3W +-5%	1
11339060575	METAL OXIDE FILM RESISTOR 39	OHM 5W +-5%	1
11339110517	CARBON FILM RESISTOR 390 OHM	1/4W +-5%	4

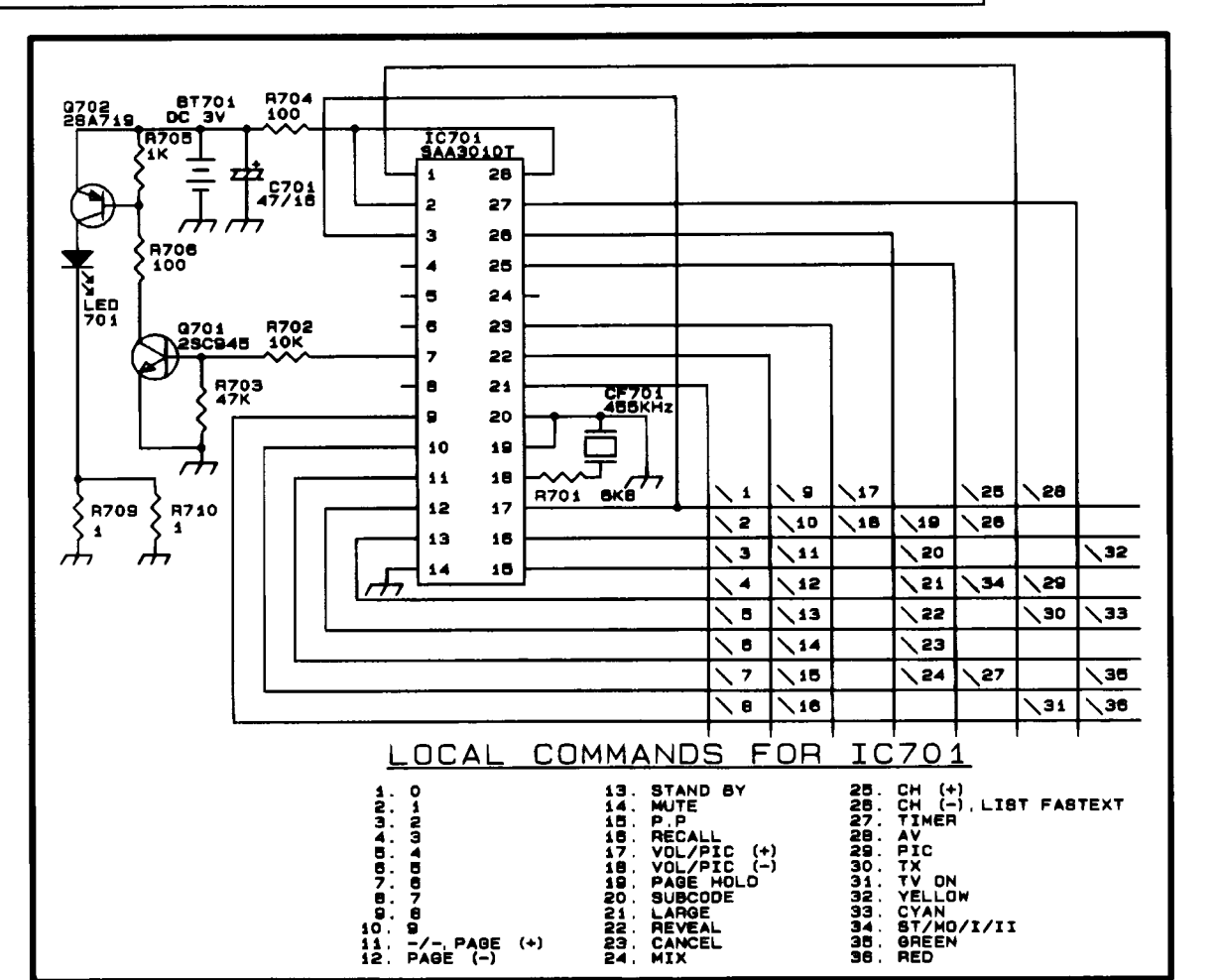
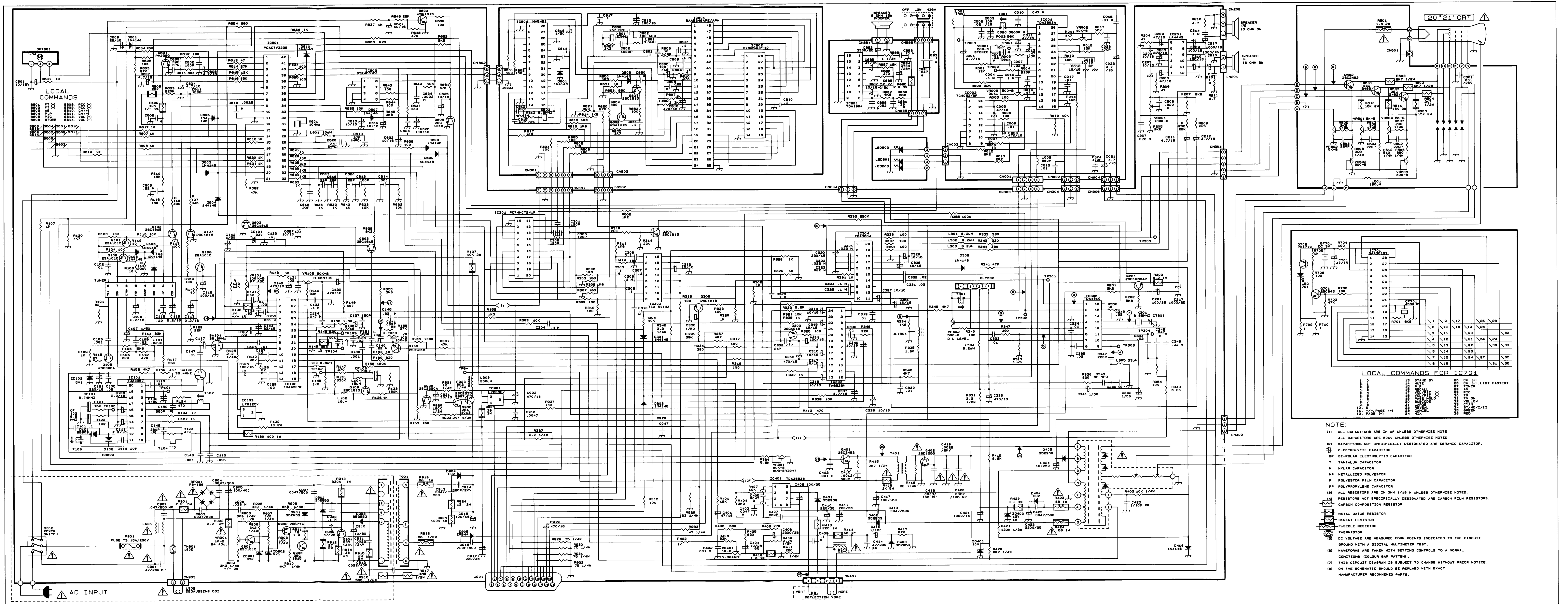
11339210517	CARBON FILM RESISTOR 3.9K OHM	1/4W +-5%	2
11339310517	CARBON FILM RESISTOR 39K OHM	1/4W +-5%	1
11347010517	CARBON FILM RESISTOR 47 OHM	1/4W +-5%	4
11347110517	CARBON FILM RESISTOR 470 OHM	1/4W +-5%	3
11347210517	CARBON FILM RESISTOR 4.7K OHM	1/4W +-5%	8
11347310517	CARBON FILM RESISTOR 47K OHM	1/4W +-5%	6
11347510517	CARBON FILM RESISTOR 4.7M OHM	1/4W +-5%	1
11347910517	CARBON FILM RESISTOR 4.7 OHM	1/4W +-5%	2
11351110517	CARBON FILM RESISTOR 510 OHM	1/4W +-5%	1
11356210517	CARBON FILM RESISTOR 5.6K OHM	1/4W +-5%	7
11356310517	CARBON FILM RESISTOR 56K OHM	1/4W +-5%	1
11356521092	CARBON COMPOSITION RESISTOR	5.6M OHM 1/2W +-10%	2
11362950575	METAL OXIDE FILM RESISTOR 6.2	OHM 3W +-5%	1
11368110517	CARBON FILM RESISTOR 680 OHM	1/4W +-5%	1
11368210217	CARBON FILM RESISTOR 6.8K OHM	1/4W +-2%	1
11368210517	CARBON FILM RESISTOR 6.8K OHM	1/4W +-5%	3
11368830542	FUSING RESISTOR 0.68 OHM 1W	+5%	4
11375010517	CARBON FILM RESISTOR 75 OHM	1/4W +-5%	4
11382010517	CARBON FILM RESISTOR 82 OHM	1/4W +-5%	2
11382110517	CARBON FILM RESISTOR 820 OHM	1/4W +-5%	2
11382210517	CARBON FILM RESISTOR 8.2K OHM	1/4W +-5%	4
11382310517	CARBON FILM RESISTOR 82K OHM	1/4W +-5%	1
11382410517	CARBON FILM RESISTOR 820K OHM	1/4W +-5%	1
11421020001	THERMISTOR (NICHICON ZPB53 BL	200C)	1
12310034060	CERAMIC CAP. 10PF +-5% 50V	(SL TYPE)	1
12310135060	CERAMIC CAP. 100 PF 50V +-10%	(SL TYPE) "SMART GOOD"	1
12310235090	CERAMIC CAP. 0.001 MFD 50V	+10% (B TYPE)	5
12310285010	CERAMIC CAP. 0.001 MFD 2KV	+10% MATSUSHITA	1
12310337090	CERAMIC CAP. 0.01 MFD 50V +80	-20%	12
12310337090	CERAMIC CAP. 0.01 MFD 50V +80	-20%	1
12310427090	CERAMIC CAP. 0.1 MFD 25V +80	-20%	7
12312135060	CERAMIC CAP. 120 PF 50V +-10%	(SL TYPE)	3
12312255190	CERAMIC CAP. 0.0012 MFD 500V	+10% (B TYPE) MATSUSHITA	1
12312285010	CERAMIC CAP. 0.0012 2KV +-10%		1
12315034093	CERAMIC CAP. 15 PF 50V +-5%	(NPO)	1
12315135060	CERAMIC CAP 150 PF 50V +-10%	(SL TYPE)	1
12322034060	CERAMIC CAP. 22 PF 50V +-5%	(SL TYPE)	4
12322135060	CERAMIC CAP. 220 PF 50V +-10%	(SL TYPE)	4
12322155190	CERAMIC CAP. 220 PF 500V	+10% MATSUSHITA	1
12322235090	CERAMIC CAP. 0.0022 MFD 50V	+10% (B TYPE)	1
12322246650	CERAMIC CAP. 0.0022 MFD 400VAC	+20% ECKDNA222ME "MATSUSHITA"	1
12322285010	CERAMIC CAP. 0.0022 MFD 2KV	+10% MATSUSHITA	1
12322337090	CERAMIC CAP. 0.022 MFD 50V +80	-20%	11
12322337090	CERAMIC CAP. 0.022 MFD 50V +80	-20%	4
12327034060	CERAMIC CAP. 27 PF 50V +-5%	(SL-TYPE)	1
12327034093	CERAMIC CAP. 27PF 50V +-5%	(NPO)	2
12339034093	CERAMIC CAP. 39PF 50V +-5%	(NPO)	1
12347135060	CERAMIC CAP. 470 PF 50V +-10%	(SL TYPE)	2
12347235090	CERAMIC CAP. 0.0047 MFD 50V	+10% (B TYPE)	2
12347255090	CERAMIC CAP. 0.0047 MFD 500V	+10% (B TYPE)	3
12347255290	CERAMIC CAP. 0.0047 MFD 500V	+10% (B TYPE) SMALL SIZE	3
12350934093	CERAMIC CAP. 5 PF 50V +-5%	(NPO)	1
12368135090	CERAMIC CAP. 680 PF 50V +-10%	(B TYPE)	1
12382185010	CERAMIC CAP. 820 PF 2KV +-10%	(SL TYPE) MATSUSHITA	1
12536112011	POLYSTYRENE CAP. 360PF 125V	+5%	1
12539112011	POLYSTYRENE CAP. 390 PF 125V	+5%	1

12610207101	MYLAR CAP. 0.001 MFD 50V +-10%		4
12610407101	MYLAR CAP. 0.1 MFD 50V +-10%		12
12610407101	MYLAR CAP. 0.1 MFD 50V +-10%		5
12610410131	POLYPROPYLENE CAP. 0.1 MFD	100V +-10%	1
12615407101	MYLAR CAP. 0.15 MFD 50V +-10%		1
12622207101	MYLAR CAP. 0.0022 MFD 50V	+10%	2
12622216141	METALIZED POLYPROPYLENE CAP.	0.0022 MFD 1600V +-10%	1
12622307101	MYLAR CAP. 0.022 MFD 50V +-10%		5
12622407101	MYLAR CAP 0.22 MFD 50V +-10%		5
12622407101	MYLAR CAP 0.22 MFD 50V +-10%		2
12627207031	POLYPROPYLENE CAP. 0.0027 MFD	50V +-5%	1
12633216141	METALIZED POLYPROPYLENE CAP.	0.0033 MFD 1600V +-10%	1
12633307101	MYLAR CAP. 0.033 MFD 50V +-10%		1
12633407101	MYLAR CAP. 0.33 MFD 50V +-10%		3
12647207101	MYLAR CAP. 0.0047 MFD 50V	+10%	2
12647307101	MYLAR CAP. 0.047 MFD 50V +-10%		3
12647322241	METALIZED POLYPROPYLENE CAP.	0.047 MFD 275V +-20% "OKAYA"	1
12647407101	MYLAR CAP. 0.47 MFD 50V +-10%		1
12647420131	POLYPROPYLENE CAP 0.47 MFD	200V +-10%	1
12647422241	METALIZED POLYPROPYLENE CAP.	0.47 MFD 275VAC +-20% "OKAYA"	1
12656207101	MYLAR CAP. 0.0056 MFD 50V	+10%	1
12682307101	MYLAR CAP. 0.082 MFD 50V +-10%		1
12710507203	ELECT. CAP. 1 MFD 50V +-20%		7
12710513203	ELECT. CAP. 1 MFD 160V	+20%	1
12710604203	ELECT. CAP. 10 MFD 16V +-20%		11
12710604203	ELECT. CAP. 10 MFD 16V +-20%		12
12710604223	ELECT.CAP. BIPOLAR 10MFD 16V	+20%	2
12710610403	ELECT CAP. 10 MFD 100V +-20%	105øC	1
12710625203	ELECT. CAP. 10 MFD 250V +-20%		1
12710704203	ELECT. CAP. 100 MFD 16V +-20%		7
12710706203	ELECT. CAP. 100 MFD 35V +-20%		2
12710713203	ELECT. CAP. 100 MFD 160V +-20%	"NICHICON"	1
12710804203	ELECT. CAP. 1000 MFD 16V +-20%		1
12710805203	ELECT. CAP. 1000 MFD 25V +-20%		1
12715740203	ELECT. CAP. 150 MFD 400V +-20%	(25 x 30MM)	1
12722507203	ELECT. CAP 2.2 MFD 50V +-20%		5
12722604203	ELECT. CAP. 22 MFD 16V +-20%		1
12722704203	ELECT. CAP. 220 MFD 16V +-20%		3
12722706203	ELECT. CAP. 220 MFD 35V +-20%		3
12722805203	ELECT. CAP. 2200 MFD 25V +-20%		2
12733507105	ELECT CAP. 3.3UF 50V +-10%	(TIME CONSTANT)	1
12733604203	ELECT. CAP. 33 MFD 16V +-20%		2
12747407203	ELECT. CAP. 0.47 MFD 50V +-20%		1
12747507203	ELECT CAP 4.7 MED 50V		10
12747604203	ELECT. CAP. 47 MFD 16V +-20%		5
12747609407	ELECT CAP. 47 MFD 63V +-20%	105øC "NICHICON"	1
12747613203	ELECT. CAP. 47 MFD 160V +-20%		1
12747704203	ELECT. CAP. 470 MFD 16V +-20%		9
12747805203	ELECT. CAP. 4700MFD 25V +-20%		2
13013414801	SILICON DIODE IN4148		5
13013414801	SILICON DIODE IN4148		11
13024080950	VERIABLE CAPACITANCE DIODE	BB809	2
13031002200	RECTIFIER DIODE RG2 SANKEN		1
13031015600	BRIDGE RECTIFIER RB156 SANKEN		1
13031154560	RECTIFIER DIODE 1R5JH45		1
13031440600	RECTIFIER DIODE ERB44-06 FUJI		1

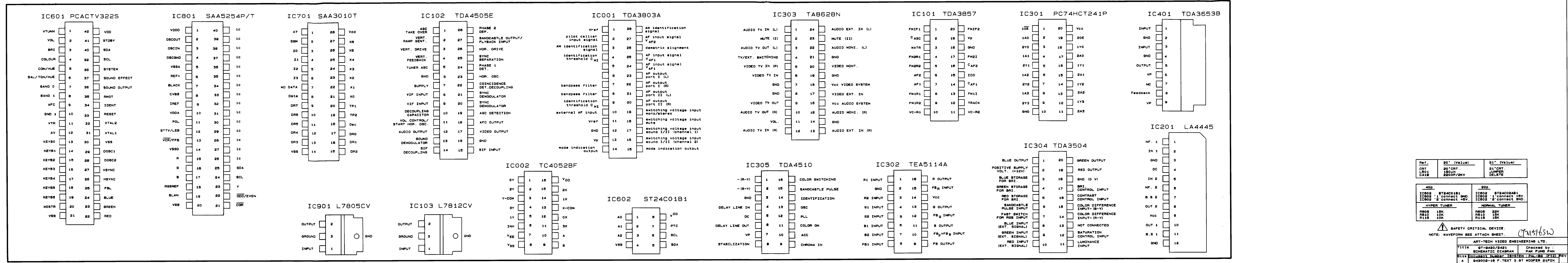
13031529500	RECTIFIER DIODE S5295G TOSHIBA		7
13041005101	ZENER DIODE 5.1V 1/2W +-5%		1
13041008201	ZENER DIODE 8.2V		1
13041010001	ZENER DIODE 10V 1/2W		1
13041057400	ZENER DIODE UPC 574J NEC		1
13041109101	ZENER DIODE 9.1V		1
13042212090	ZENER DIODE 12V 1W +-5%		1
13051204400	LED 3MM RED 204HDC		3
13121101318	TRANSISTOR 2SA1013 (R) TOSHIBA		1
13121101500	TRANSISTOR 2SA1015 TOSHIBA		4
13122077420	TRANSISTOR 2SB774/Q/R/S	MATSUSHITA	1
13123180900	TRANSISTOR 2SC1809 ROHM		1
13123181525	TRANSISTOR 2SC1815 TOSHIBA		7
13123181525	TRANSISTOR 2SC1815 TOSHIBA		5
13123223000	NPN-TR 2SC2230A-Y (TOSHI) TO92	VCE=180V IC=.1A HFE=120-240	1
13123233530	TRANSISTOR 2SC2335 L/K NEC		1
13123248200	TRANSISTOR 2SC2482 TOSHIBA		4
13124154500	TRANSISTOR 2SD1545 TOSHIBA		1
13124155500	TRANSISTOR 2SD1555 TOSHIBA		1
13124176100	TRANSISTOR 2SD1761(E) ROHM		1
13146236900	TRANSISTOR PH2369 PHILIPS		1
13310032233	PHILIPS IC PCA CTV322S		1
13310190531	I.C. TDA1905 SGS-THOMSON		1
13310242131	I.C. ST24C02AB1 SGS		1
13310350433	I.C. TDA3504 PHILIPS		1
13310385733	IC TDA3857 PHILIPS		1
13310450533	I.C. TDA4505E PHILIPS		1
13310451033	PHILIPS IC TDA4510		1
13310862814	IC TA8628N TOSHIBA		1
13320365333	I.C. TDA3653B PHILIPS		1
13320380333	IC TDA3803A PHILIPS		1
13320444516	I.C. LA4445 SANYO		1
13320780531	I.C. L7805CV SGS		1
13320781231	IC L7812CV SGS-THOMSON		1
13330405214	IC TC4052BP TOSHIBA		1
13330424133	I.C. PC74HCT241P PHILIPS		1
13330511431	I.C. TEA5114A SGS		1
13650000200	REMOTE RECEIVER (HC-SZ02)		1
13710000031	CRYSTAL 10 MHZ HOORAY		1
13788672320	CRYSTAL 8.86 MHz KDS		1
14102341107	SLIDE SWITCH 2P3T SS23H09G7	"TRI-QUALITY"	1
14610000213	TACT SWITCH KSM0634A HDK		8
14610000614	POWER SWITCH PS5E-B	"CHINA LANDMARK"	1
14614500000	TACT SWITCH TM116E UNITRONIC		4
16010100108	PIN CONNECTOR 1 PIN PLUG	STRAIGHT	3
16010225527	PIN CONNECTOR 2 PINS PLUG	STRAIGHT (UL) (S.H.S)	2
16010280508	PIN CONNECTOR 2 PIN PLUG	STRAIGHT	1
16010325527	PIN CONNECTOR 3 PINS PLUG		10
16010325527	PIN CONNECTOR 3 PINS PLUG		1
16010380508	PIN CONNECTOR 3 PIN PLUG	STRAIGHT	1
16010425527	PIN CONNECTOR 4 PINS PLUG	(SHS)	2
16010480508	PIN CONNECTOR 4 PIN PLUG	STRAIGHT	1
16010525527	PIN CONNECTOR 5 PINS WAFER	2.5 PITCH	1
16010625527	PIN CONNECTOR 6 PINS WAFER	(SHS) S11-W	1
16154000401	CRT SOCKET ISH-01 IN CHANG		1
16168370222	21 PIN SOCKET		1

1664630234E	SPEAKER 2" X 3-1/2" 16 OHM 3W	K.T.	2
1668832404I	WOOFER SPEAKER 4" 8 OHM 30W	#S4-8 "GOLDMAX"	1
17262000740	UL 1007 TOP COAT WIRE #20 70MM	BLACK 5 X 5 MM	2
17262001240	UL 1007 TOP COAT WIRE AWG 20	120MM BLACK 10 X 10 MM	1
17262001440	UL 1007 TOP COAT WIRE AWG 20	140MM BLACK 10 X 10 MM	1
17262002040	UL 1007 TOP COAT WIRE AWG 20	200MM BLACK 10 X 10 MM	1
17262600644	UL 1007 TOP COAT WIRE AWG 26	60 MM YELLOW 10 X 10 MM	3
17262600840	UL 1007 TOP COAT WIRE AWG 26	80MM BLACK 10 X 10 MM	3
17262600840	UL 1007 TOP COAT WIRE AWG 26	80MM BLACK 10 X 10 MM	0
17262601244	UL 1007 TOP COAT WIRE AWG 26	120MM YELLOW 10 X 10 MM	1
17262601440	UL 1007 TOP COAT WIRE AWG 26	140MM BLACK 10 X 10 MM	1
17262601442	UL 1007 TOP COAT WIRE AWG 26	140MM RED 10 X 10 MM	1
17262602042	UL 1007 TOP COAT WIRE AWG 26	200MM RED 10 X 10 MM	1
17262602245	UL 1007 TOP COAT WIRE AWG 26	220MM PINK 10 X 10 MM	1
17262602246	UL 1007 TOP COAT WIRE AWG 26	220MM BLUE 10 X 10 MM	2
17272600099	BARE WIRE 54MM		5.6
17272600099	BARE WIRE 54MM		0
17272600099	BARE WIRE 54MM		0
17283012099	FLAT BRIDED WIRE		1.2
17362201430	SINGLE SHIELD WIRE AWG 26	140MM BLACK	1
17461101750	DOUBLE SHIELD WIRE AWG 26	180MM BLACK	1
17765505302	2 PIN FLAT CABLE WIRE AWG 26	50MM	1
17900101000	OIL SLEEVING 1 mm DIA.		0.1
17900101000	OIL SLEEVING 1 mm DIA.		0
17900101000	OIL SLEEVING 1 mm DIA.		0
17910500000	UL PVC TUBE 5mm DIA		0.2
17910500000	UL PVC TUBE 5mm DIA		1
17910500000	UL PVC TUBE 5mm DIA		0.2
17911050000	UL PVC TUBE 11MM DIA.		0.1
17940308000	SHRINKABLE TUBE		0.2
17940503000	5 mm DIA SHRINKABLE TUBE		0.1
18223315003	FUSE T3.15A 250V		1
19088200009	STEREO P.C.B. (060696)		1
19088200400	P.C. BOARD CRT (150395)		1
19094200013	WOOFER P.C.B. (170295)		1
19094200201	MAIN P.C.B. BOARD (310197)		1
19094210010	LED BOARD (LED X3) (190994)		1
19110003009	1 PIN SOCKET ASSM'Y L=300MM		1
19110101207	1 PIN DOUBLE INSOLATION WIRE	AWG 18 L=400MM BLUE	1
19110101307	1 PIN DOUBLE INSOLATION WIRE	AWG 18 L=400MM BROWN	1
19120004409	2 PIN SOCKET ASSM'Y L=440MM		1
19120100307	2 PIN SOCKET ASS'Y L=240MM		1
19130004009	3 PIN SOCKET ASSM'Y (PIN 1 L=	460MM, PIN 2,3 L=400MM)	1
19130004009	3 PIN SOCKET ASSM'Y (PIN 1 L=	460MM, PIN 2,3 L=400MM)	0
19130004009	3 PIN SOCKET ASSM'Y (PIN 1 L=	460MM, PIN 2,3 L=400MM)	0
19130100507	3 PINS SOCKET ASS'Y (2 WIRE)	L=560MM	1
19130102007	3 PIN SOCKET ASS'Y L=260MM		1
19130102107	3 PIN SOCKET ASSM'Y L=180MM		1
19130120407	3 PIN SOCKET ASSM'Y		1
19130120507	3 PINS SOCKET ASS'Y L=100MM		1
19130121807	3 PIN SOCKET ASS'Y L=900MM	(PIN 2,3 W/SHIELD WIRE)	1
19140120107	4 PINS SOCKET ASS'Y L=60MM		1
19150004809	5 PIN SOCKET ASSM'Y L=480MM		1
19150004809	5 PIN SOCKET ASSM'Y L=480MM		0
19150004809	5 PIN SOCKET ASSM'Y L=480MM		0
19150004809	5 PIN SOCKET ASSM'Y L=480MM		0

19150004809	5 PIN SOCKET ASSM'Y L=480MM		0
50430500610	MACHINE SCREW 3 X 6 B/M	(WHITE)	4
50926450600	MACHINE SCREW 2.6 X 6 K/M		2
51440041210	SELF-TAPPING SCREW 4 X 12 B/T	(HARDEN)	16
51440041210	SELF-TAPPING SCREW 4 X 12 B/T	(HARDEN)	0
51440041810	SELF-TAPPING SCREW 4 X 18 B/T	(HARDEN)	4
51440042510	SELF-TAPPING SCREW 4 X 25 B/T	(HARDEN)	2
51530340810	SELF-TAPPING SCREW 3 X 8	W/B/T (HARDEN)	14
51530340810	SELF-TAPPING SCREW 3 X 8	W/B/T (HARDEN)	0
51530341010	SELF-TAPPING SCREW 3 X 10	W/B/T (HARDEN)	2
51650043510	SEIF-TAPPING SCREW 5X35 P/T	(HARDEN)	4
51730331210	SELF-TAPPING SCREW 3 X 12 W/A	W/H=7MM (HARDEN)	3
52493290101	CRT MOUNTING SCREW 7 X 40 VP	(HARDEN)	4
54002003001	EYELET 2 X 3 MM		14
54002003001	EYELET 2 X 3 MM		0
58010126101	CABLE TIE L=100MM		29
58010126101	CABLE TIE L=100MM		0
62288280200	FELT L240 X W17 X T0.5MM	W/TAPE	11
62288280200	FELT L240 X W17 X T0.5MM	W/TAPE	0
63011551200	FIBRE WASHER 11 X 5.5 X 1.2 mm		12
74488130100	SPRING FOR C.R.T. MOUNTING 5.2	X 42 X 0.6MM	1
74606310100	TEST PIN:TOTAL LENGTH 18.6mm	THK:0.8mm	2
74606310101	AC LINE CORD PIN		4
75006310100	SOLDERING LUG LEG:8X4MM		3
75006310201	35MM SOLDERING LUG	OD:7 ID:3.2 LEG:4X35MM	3
76293200100	MOUNTING CLIP		2
76668680100	FUSE HOLDER		2
77794210100	SPRING IN 8.4 X L18		1
77992130100	HEAT SINK FOR NICAM		1
77993290202	IRON HEAT SINK		1
78188200102	ALUMINIUM HEAT SINK (B)		1
78189200100	ALUMINIUM HEAT SINK (C)		1
78194210102	HEAT SINK (A)		1
78388130601	SHIELD CAN COVER		1
78388131301	SHIELD CAN		1
81005220414	POLYBAG 5" X 22" X 0.04MM	PO MAT W/RE-CYCLING MARK	1
81009150413	POLYBAG 9" X 15" X 0.04MM W/	RE-CYCLING MARK	1
83414451500	RUBBER WASHER OD=14,ID=4.5,	T=1.5	4
83423080200	RUBBER WASHER OD=23, ID=8, T=2		4
83423080500	RUBBER WASHER OD=23 ID=8 T=0.5		2
84001102421	PAD CORD L240 X W10 X T1 MM	W/TAPE	17
84001102421	PAD CORD L240 X W10 X T1 MM	W/TAPE	9
84005066011	PAD CORD L=660 X W5 X T5	W/TAPE	1
84005102011	RUBBER PAD (UL 94VO)		2
84005103011	RUBBER PAD (ONE SIDE W/TAPE)		5
92994210100	LED HOLDER BKT		1
93888200100	SECAM BOARD HOLDER		4
93994210100	POWER KNOB ADAPTOR		1
95488210000	AC LINE CORD CLIP		1
95489200100	HIGH VOLTAGE SPACER		1
97788200101	PUSH BUTTON - BLACK MOULDED		1
99194211001	POWER KNOB(B)ABS BLACK MOULDED		1



- NOTE:
- ALL CAPACITORS ARE IN μ F UNLESS OTHERWISE NOTED
 - ALL CAPACITORS ARE 50V UNLESS OTHERWISE NOTED
 - CAPACITORS NOT SPECIFICALLY DESIGNATED ARE CERAMIC CAPACITOR
 - ELECTROLYTIC CAPACITOR
 - BI-POLAR ELECTROLYTIC CAPACITOR
 - TANTALUM CAPACITOR
 - MILAR CAPACITOR
 - METALLIZED POLYESTER
 - POLYESTER FILM CAPACITOR
 - POLYPROPYLENE CAPACITOR
 - ALL RESISTORS ARE IN OHM 1/16 W UNLESS OTHERWISE NOTED
 - RESISTORS NOT SPECIFICALLY DESIGNATED ARE CARBON FILM RESISTORS
 - CARBON COMPOSITION RESISTOR
 - METAL OXIDE RESISTOR
 - CEMENT RESISTOR
 - FILM RESISTOR
 - DIODES ARE MEASURED FROM POINTS INDICATED TO THE CIRCUIT GROUND WITH A DIGITAL MULTIMETER TEST.
 - WAVEFORMS ARE TAKEN WITH SETTINGS CONTROLS TO A NORMAL CONDITIONS (COLOUR BAR PATTERN)
 - THIS CIRCUIT DIAGRAM IS SUBJECT TO CHANGE WITHOUT PRIOR NOTICE.
 - ON THE SCHEMATIC SHOULD BE REPLACED WITH EXACT MANUFACTURER RECOMMENDED PARTS.



SAFETY CRITICAL DEVICE
 NOTE: WAVEFORM SEE ATTACH SHEET.

ART-TECH VIDEO ENGINEERING LTD.
 11118 9T-8400/8401
 SCHEMATIC DIAGRAM PAF FUND PAF
 DATE: August 13, 1999